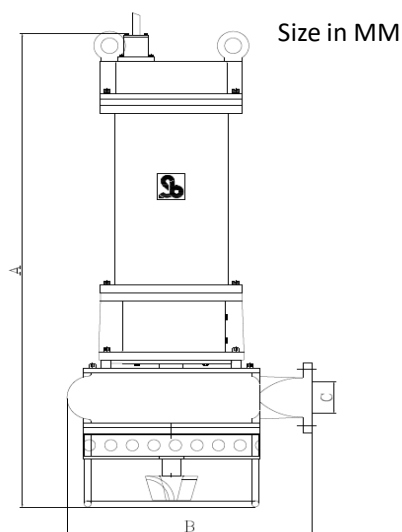
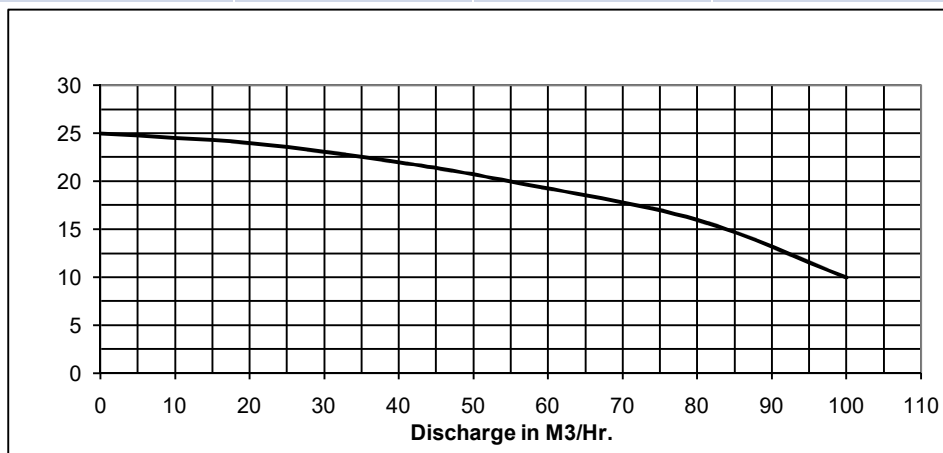


A	B	C	Wgt.KG
1166	520	100	225



Series	Model	HP /kw	Outlet size in MM
50-260N	SBSL154	15 / 11	100



Pump type	Submersible Slurry Pump	
<b>Motor</b>	Type	Induction Motor
	Poles	4
	Insulation	F Class (H on request)
	Starting Method	DOL
	Volts	415 +/-10%
	Phase	3
	Protection	IP68
	Speed	1450 RPM
<b>Full Load Current</b>	23.5 Amp.	
<b>Lubricants Bearings</b>	Grease	
<b>Lubricants Seals</b>	Food Grade Oil	
<b>Mechanical Seal</b>	Double	Silicon Vs Silicon
<b>Liquid Density (Max.)</b>	1.5 Kg/Ltr	
<b>Solid Size in MM</b>	Max.	20
<b>Ph Ranges</b>	5 to 8	
<b>Cable</b>	Double Sheathed copper 10 Mtr. Extra on request	
<b>Max. Submergence</b>	20 Mtr.	
<b>Mini.Submergence</b>	200MM Below water level.	
<b>Max.liquid Temp</b>	45 Deg. Centi.*Higher on Request	
<b>Material of Construction</b>	Impeller	Hi - Chrome
	Housings	Cast Iron Grd.Fg 260
	Stator Body	Cast Iron Grd.Fg 260
	Casing	SG IRON
	Rotor Shaft	SS431
	Rubber Parts	Nitrile Rubber
	Hardware	SS 304

Due to continuous product development, specifications are subject to change without notice  
\*Other Material of Construction on Request.

\*Inbuilt Thremister