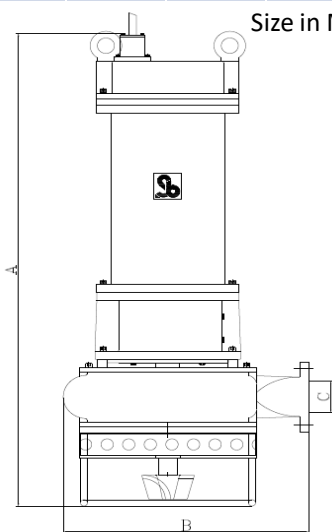
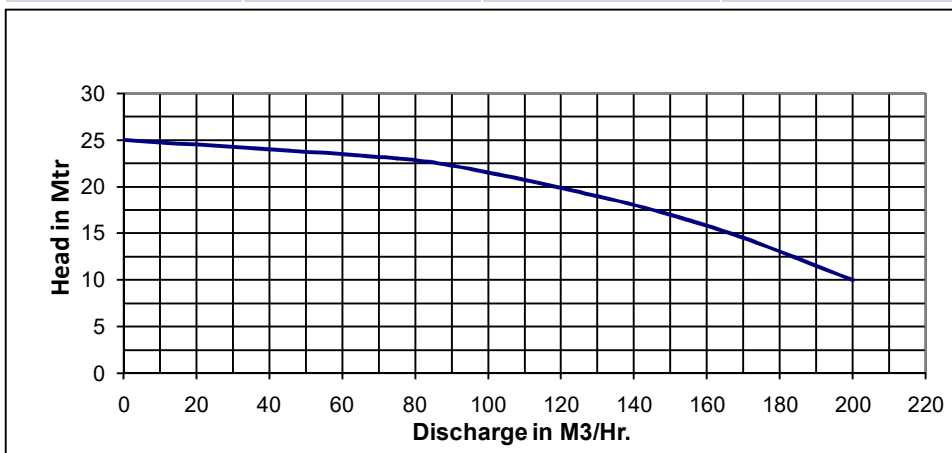


| A | B | C | Wgt.KG |
|------|-----|-----|--------|
| 1133 | 520 | 100 | 345 |

Size in MM



| Series | Model | HP /kw | Outlet size in MM |
|---------|---------|-----------|-------------------|
| 80-260N | SBSL254 | 25 / 18.5 | 100 |



| Pump type | Submersible Slurry Pump | |
|--------------------------|---|------------------------|
| Motor | Type | Induction Motor |
| | Poles | 4 |
| | Insulation | F Class (H on request) |
| | Starting Method | DOL |
| | Volts | 415 +/-10% |
| | Phase | 3 |
| | Protection | IP68 |
| | Speed | 1450 RPM |
| Full Load Current | 38.3 Amp. | |
| Lubricants Bearings | Grease | |
| Lubricants Seals | Food Grade Oil | |
| Mechanical Seal | Double | Silicon Vs Silicon |
| Liquid Density (Max.) | 1.5 Kg/Ltr | |
| Solid Size in MM | Max. | 50 |
| Ph Ranges | 5 to 8 | |
| Cable | Double Sheathed copper 10 Mtr. Extra on request | |
| Max. Submergence | 20 Mtr. | |
| Mini.Submergence | 200MM Below water level. | |
| Max.liquid Temp | 45 Deg. Centi.*Higher on Request | |
| Material of Construction | Impeller | Hi - Chrome |
| | Housings | Cast Iron Grd.Fg 260 |
| | Stator Body | Cast Iron Grd.Fg 260 |
| | Casing | SG IRON |
| | Rotor Shaft | SS431 |
| | Rubber Parts | Nitrile Rubber |
| | Hardware | SS 304 |

Due to continuous product development, specifications are subject to change without notice
*Other Material of Construction on Request.

*Inbuilt Thremister