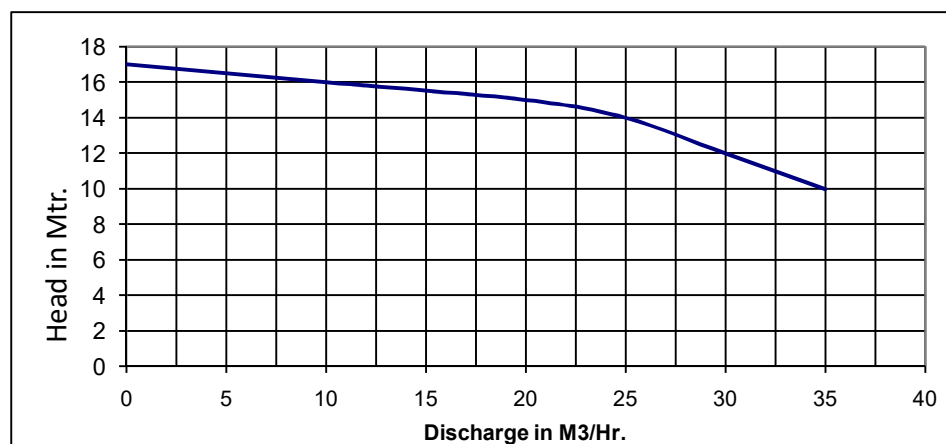


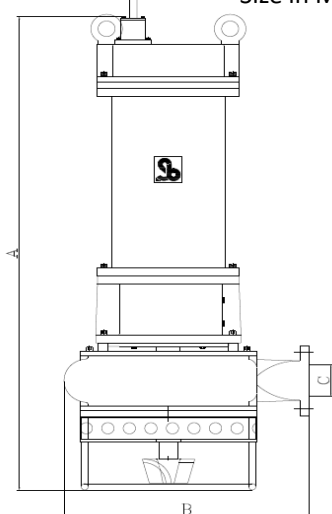
Slurry submersible Pump

Series	Model	HP /kw	Outlet size in MM
50-260NS	SBSL54	5 / 3.7	100



A	B	C	Wgt.KG
1031	520	100	195

Size in MM



Pump type	Submersible Slurry Pump	
Motor	Type	Induction Motor
	Poles	4
	Insulation	F Class (H on request)
	Starting Method	DOL
	Volts	415 +/-10%
	Phase	3
	Protection	IP68
	Speed	1450 RPM
Full Load Current	8.7 Amp.	
Lubricants Bearings	Grease	
Lubricants Seals	Food Grade Oil	
Mechanical Seal	Double	Silicon Vs Silicon
Liquid Density (Max.)	1.5 Kg/Ltr	
Solid Size in MM	Max.	10
Ph Ranges	5 to 8	
Cable	Double Sheathed copper 10 Mtr. Extra on request	
Max. Submergence	20 Mtr.	
Mini.Submergence	200MM Below water level.	
Max.liquid Temp	45 Deg. Centi.*Higher on Request	
Material of Construction	Impeller	Hi - Chrome
	Housings	Cast Iron Grd.Fg 260
	Stator Body	Cast Iron Grd.Fg 260
	Casing	SG IRON
	Rotor Shaft	SS431
	Rubber Parts	Nitrile Rubber
	Hardware	SS 304

*Inbuilt Thremister